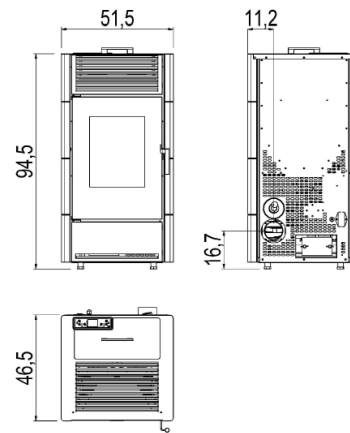


## STEEL

- WHITE**  
 7014002  
 EAN 8033123614573
- RED**  
 7014001  
 EAN 8033123614566
- ANTHRACITE**  
 7014033  
 EAN 8033123615327



## EXTRA



Back exhaust



Overheating protection



Handgrip against burn



Connection to the external thermostat



Daily weekly programming



Remote control

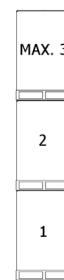
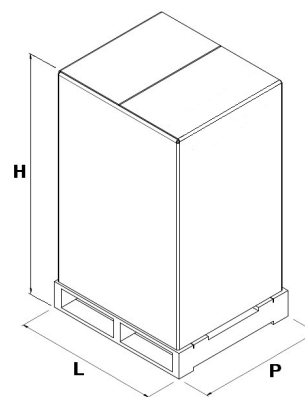


Steel burning pot AISI

## TECHNICAL DATAS

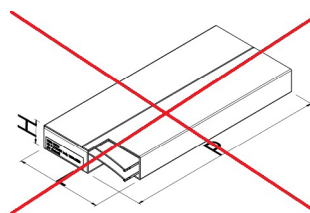
Nominal power	kW	7
Reduced power	kW	2,3
Nominal water useful power	kW	-
Reduced water useful power	kW	-
Nominal efficiency	%	88,5
Reduced efficiency	%	90
Heating volume (min-max)	m <sup>3</sup>	55 - 168
Nominal CO at 13% O <sub>2</sub>	%	0,019
Reduced CO at 13% O <sub>2</sub>	%	0,031
Nominal dust content at 13% O <sub>2</sub>	mg/Nm <sup>3</sup>	29
Boiler capacity (H <sub>2</sub> O)	l	-
Hopper capacity	kg	18
Combustible		<b>Pellet ø6</b>
Hourly consumption (min-max)	kg/h	0,50 - 1,66
Autonomy (min-max)	h	36 - 10,8
Ignition electrical absorption (max)	W	360
Operating electrical absorption (max)	W	60
Supply and frequency	V - Hz	230 - 50
Chimney flue depression	Pa	12
Exhaust diameter	mm	80
Combustion air inlet diameter	mm	40
Mass of smoke (min-max)	g/sec	3,4 - 6,41
Exhaust fumes temperature (max)	°C	180
Net weight	kg	80
Gross weight	kg	90

## PACKAGING AND STOCKING



L (cm)	60
H (cm)	115
P (cm)	68

## LINING PACKING



LINING	L (cm)	H (cm)	P (cm)



EN 14785:2006



BImSchV 2015



Regensburg



München

Stuttgart

Aachen