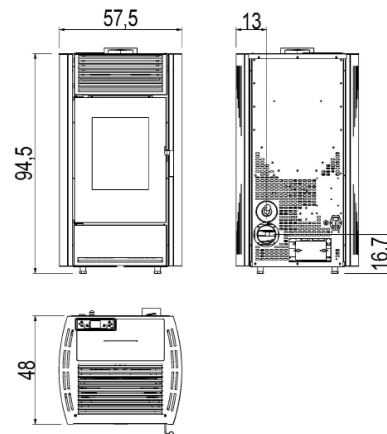


STEEL

- IVORY
7014004
EAN 8033123614597
- RED
7014003
EAN 8033123614580
- ANTHRACITE
7014034
EAN 8033123615334



EXTRA



Back exhaust



Overheating protection



Handgrip against burn



Connection to the external thermostat



Daily weekly programming



Remote control

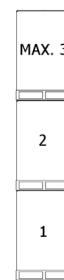
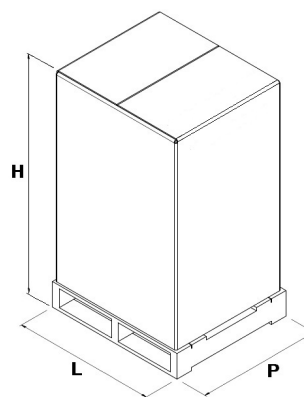


Steel burning pot AISI

TECHNICAL DATAS

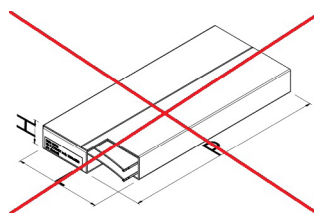
Nominal power	kW	8,5
Reduced power	kW	2,3
Nominal water useful power	kW	-
Reduced water useful power	kW	-
Nominal efficiency	%	88
Reduced efficiency	%	90
Heating volume (min-max)	m ³	55 - 204
Nominal CO at 13% O ₂	%	0,006
Reduced CO at 13% O ₂	%	0,031
Nominal dust content at 13% O ₂	mg/Nm ³	11
Boiler capacity (H ₂ O)	l	-
Hopper capacity	kg	18
Combustible		Pellet ø6
Hourly consumption (min-max)	kg/h	0,50 - 1,90
Autonomy (min-max)	h	36 - 9,5
Ignition electrical absorption (max)	W	360
Operating electrical absorption (max)	W	60
Supply and frequency	V - Hz	230 - 50
Chimney flue depression	Pa	12
Exhaust diameter	mm	80
Combustion air inlet diameter	mm	40
Mass of smoke (min-max)	g/sec	3,4 - 5,6
Exhaust fumes temperature (max)	°C	200
Net weight	kg	80
Gross weight	kg	90

PACKAGING AND STOCKING



L (cm)	60
H (cm)	115
P (cm)	68

LINING PACKING



LINING	L (cm)	H (cm)	P (cm)



EN 14785:2006



Art. 15A B-VG 2015

BImSchV 2015

Regensburg

München

Stuttgart

Aachen