




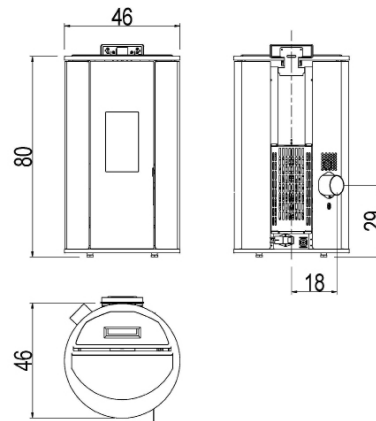


STOVE STRUCTURE CODE 7014021  
EAN 8033123614993



### STEEL

-  ANTHRACITE  
6913085  
EAN 8033123614443
-  WHITE  
6913083  
EAN 8033123614450
-  CHROME  
6914024  
EAN 8033123614986
-  RED  
6913082  
EAN 8033123614528
-  SILVER  
6913084  
EAN 8033123614436



### EXTRA



Back exhaust



Overheating protection



Connection to the external thermostat



Daily weekly programming



Remote control

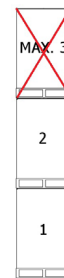
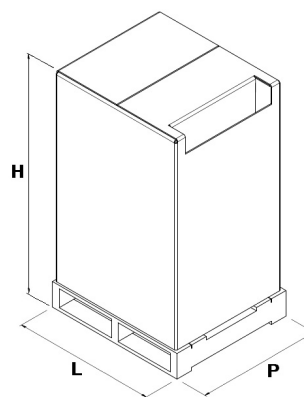


Cast iron burning pot

### TECHNICAL DATAS

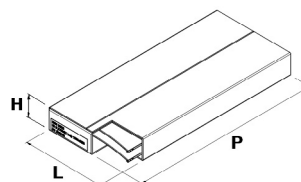
Nominal power	kW	5,5
Reduced power	kW	2,1
Nominal water useful power	kW	-
Reduced water useful power	kW	-
Nominal efficiency	%	91,1
Reduced efficiency	%	92,7
Heating volume (min-max)	m <sup>3</sup>	50 - 132
Nominal CO at 13% O <sub>2</sub>	%	0,006
Reduced CO at 13% O <sub>2</sub>	%	0,049
Nominal dust content at 13% O <sub>2</sub>	mg/Nm <sup>3</sup>	27,5
Boiler capacity (H <sub>2</sub> O)	l	-
Hopper capacity	kg	9
Combustible		<b>Pellet ø6</b>
Hourly consumption (min-max)	kg/h	0,46 - 1,24
Autonomy (min-max)	h	19,6 - 7,3
Ignition electrical absorption (max)	W	360
Operating electrical absorption (max)	W	60
Supply and frequency	V - Hz	230 - 50
Chimney flue depression	Pa	10,4
Exhaust diameter	mm	80
Combustion air inlet diameter	mm	40
Mass of smoke (min-max)	g/sec	2,4 - 3,8
Exhaust fumes temperature (max)	°C	146,6
Net weight	kg	70
Gross weight	kg	80

### PACKAGING AND STOCKING



L (cm)	60
H (cm)	100
P (cm)	57

### LINING PACKING



LINING	L (cm)	H (cm)	P (cm)
Steel	48,5	6	85



EN 14785:2006



Art. 15A B-VG 2015

BlmSchV 2015

Regensburg

München

Stuttgart

Aachen