

STOVE STRUCTURE CODE 7014015 (STEEL)
EAN 8033123614702

STOVE STRUCTURE CODE 7014031 (GLASS)
EAN 8033123615303

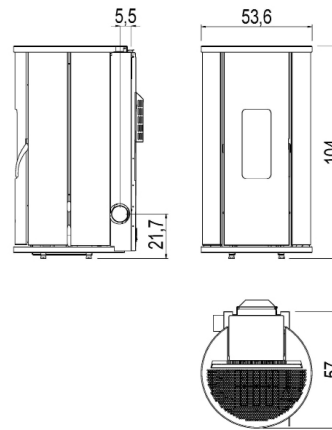


STEEL

- ANTHRACITE
6914019
EAN 8033123614931
- WHITE
6914017
EAN 8033123614917
- CHROME
6914025
EAN 8033123615105
- RED
6914016
EAN 8033123614900
- SILVER
6914018
EAN 8033123614924

GLASS

- WHITE
6914036
EAN 8033123615341
- RED
6914037
EAN 8033123615358
- MIRROR
6914038
EAN 8033123615365



EXTRA



Lateral exhaust



Overheating protection



Connection to the external thermostat



Daily weekly programming



Remote control



Sealed chamber

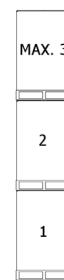
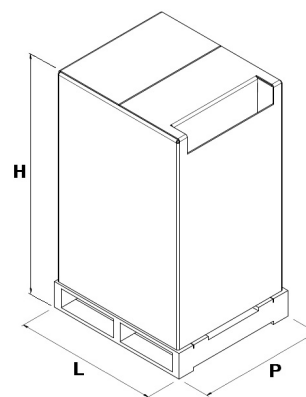


Cast iron burning pot

TECHNICAL DATAS

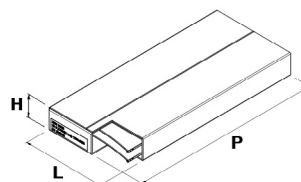
Nominal power	kW	9,5
Reduced power	kW	2,8
Nominal water useful power	kW	-
Reduced water useful power	kW	-
Nominal efficiency	%	86,5
Reduced efficiency	%	93
Heating volume (min-max)	m ³	67 - 228
Nominal CO at 13% O ₂	%	0,005
Reduced CO at 13% O ₂	%	0,03
Nominal dust content at 13% O ₂	mg/Nm ³	12
Boiler capacity (H ₂ O)	l	-
Hopper capacity	kg	22
Combustible		Pellet ø6
Hourly consumption (min-max)	kg/h	0,60 - 2,30
Autonomy (min-max)	h	36,7 - 9,6
Ignition electrical absorption (max)	W	360
Operating electrical absorption (max)	W	60
Supply and frequency	V - Hz	230 - 50
Chimney flue depression	Pa	11
Exhaust diameter	mm	80
Combustion air inlet diameter	mm	60
Mass of smoke (min-max)	g/sec	3,1 - 6,8
Exhaust fumes temperature (max)	°C	221
Net weight	kg	98-108
Gross weight	kg	108-118

PACKAGING AND STOCKING



L (cm)	78
H (cm)	125
P (cm)	68

LINING PACKING



LINING	L (cm)	H (cm)	P (cm)
Steel	96	8	46



EN 14785:2006



BlmSchV 2015



Regensburg



München



Stuttgart



Aachen