


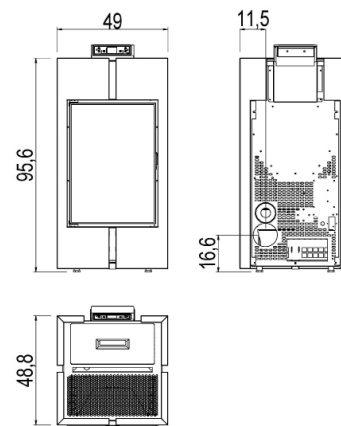


STEEL

-  ANTHRACITE
7014020
EAN 8033123614757
-  WHITE
7014019
EAN 8033123614740
-  RED
7014018
EAN 8033123614733



EXTRA



Back exhaust



Overheating protection



Cold hand



Connection to the external thermostat



Daily weekly programming



Remote control

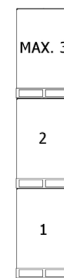
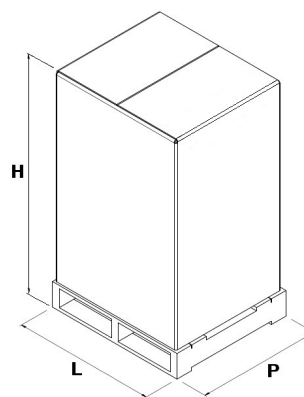


Steel burning pot AISI

TECHNICAL DATAS

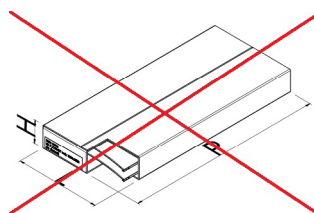
Nominal power	kW	8,5
Reduced power	kW	2,1
Nominal water useful power	kW	-
Reduced water useful power	kW	-
Nominal efficiency	%	90,5
Reduced efficiency	%	90
Heating volume (min-max)	m ³	50 - 204
Nominal CO at 13% O ₂	%	0,009
Reduced CO at 13% O ₂	%	0,051
Nominal dust content at 13% O ₂	mg/Nm ³	8
Boiler capacity (H ₂ O)	l	-
Hopper capacity	kg	18
Combustible		Pellet ø6
Hourly consumption (min-max)	kg/h	0,50 - 2,00
Autonomy (min-max)	h	36,0 - 9,0
Ignition electrical absorption (max)	W	350
Operating electrical absorption (max)	W	50
Supply and frequency	V - Hz	230 - 50
Chimney flue depression	Pa	12
Exhaust diameter	mm	80
Combustion air inlet diameter	mm	40
Mass of smoke (min-max)	g/sec	3,2 - 4,5
Exhaust fumes temperature (max)	°C	198
Net weight	kg	76
Gross weight	kg	86

PACKAGING AND STOCKING



L (cm)	60
H (cm)	115
P (cm)	68

LINING PACKING



LINING	L (cm)	H (cm)	P (cm)



EN 14785:2006



BImSchV 2015



Regensburg



München

Stuttgart

Aachen