

STOVE STRUCTURE CODE 7013012  
EAN 8033123611879



## STEEL

**ANTHRACITE**  
6913078  
EAN 8033123614344

**IVORY**  
6913038  
EAN 8033123612982

**RED**  
6913037  
EAN 8033123612999

**SILVER**  
6913036  
EAN 8033123614382

## MAJOLICA

**IVORY**  
6913089  
EAN 8033123614481

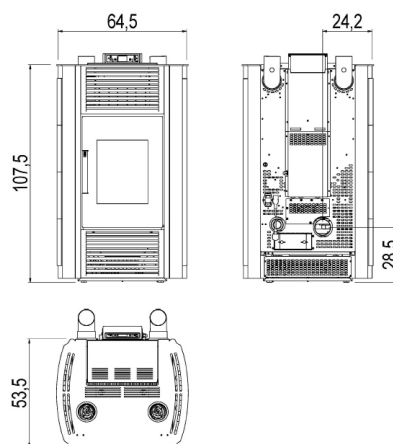
**BRILLIANT BLACK**  
6913090  
EAN 8033123614467

**RED**  
6913088  
EAN 8033123614474

## STONE

**WHITE**  
6913039  
EAN 8033123612975

**SERPENTINO**  
6913040  
EAN 8033123612678



## EXTRA



Back exhaust



Overheating protection



Connection to the external thermostat



Daily weekly programming



Remote control



Ductible with 2 independent motors

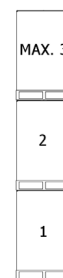
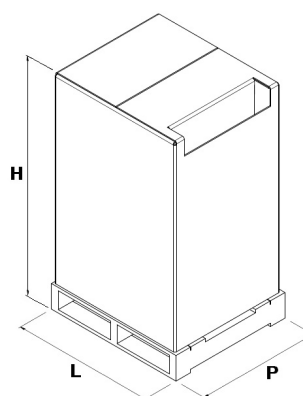


Steel burning pot AISI

## TECHNICAL DATAS

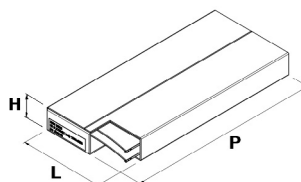
Nominal power	kW	12,7
Reduced power	kW	3,4
Nominal water useful power	kW	-
Reduced water useful power	kW	-
Nominal efficiency	%	87
Reduced efficiency	%	93,3
Heating volume (min-max)	m <sup>3</sup>	82 - 305
Nominal CO at 13% O <sub>2</sub>	%	0,0084
Reduced CO at 13% O <sub>2</sub>	%	0,023
Nominal dust content at 13% O <sub>2</sub>	mg/Nm <sup>3</sup>	22,1
Boiler capacity (H <sub>2</sub> O)	l	-
Hopper capacity	kg	24
Combustible		<b>Pellet ø6</b>
Hourly consumption (min-max)	kg/h	0,75 - 3,00
Autonomy (min-max)	h	32,0 - 8,0
Ignition electrical absorption (max)	W	390
Operating electrical absorption (max)	W	90
Supply and frequency	V - Hz	230 - 50
Chimney flue depression	Pa	11
Exhaust diameter	mm	80
Combustion air inlet diameter	mm	60
Mass of smoke (min-max)	g/sec	3,3 - 6,8
Exhaust fumes temperature (max)	°C	246
Net weight	kg	127-180
Gross weight	kg	134-190

## PACKAGING AND STOCKING



L (cm)	78
H (cm)	125
P (cm)	68

## LINING PACKING



LINING	L (cm)	H (cm)	P (cm)
Steel	96	8	46
Majolica	50	30	47
Stone	45	28	23



EN 14785:2006



BImSchV 2015



Regensburg



München

Stuttgart

Aachen